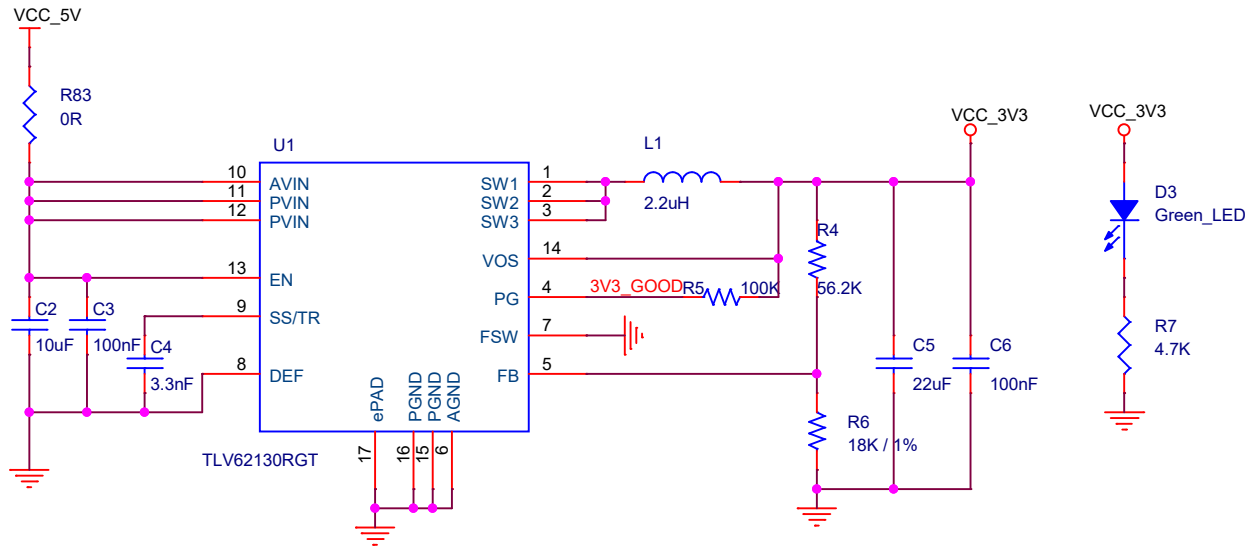
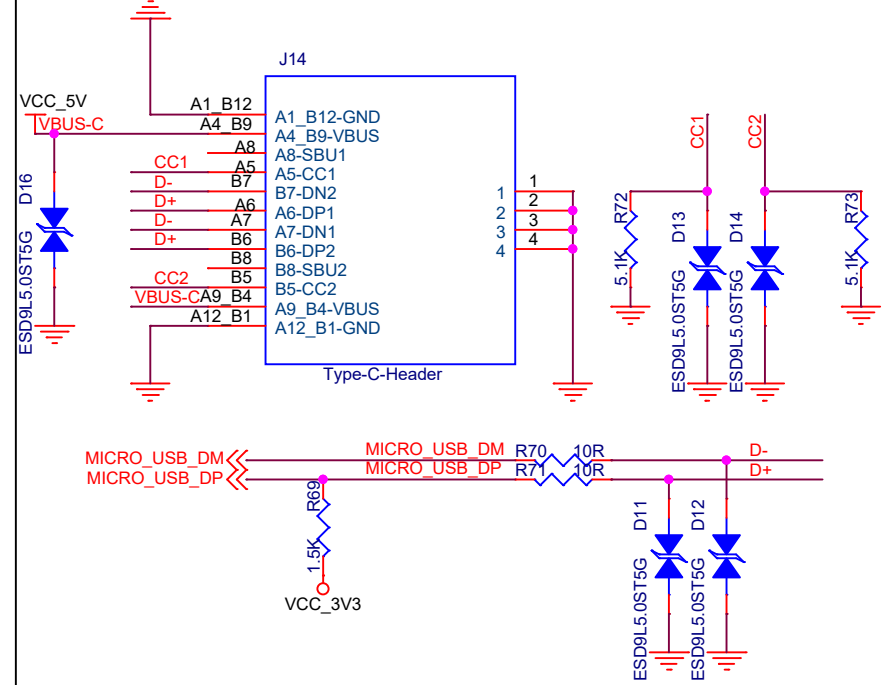


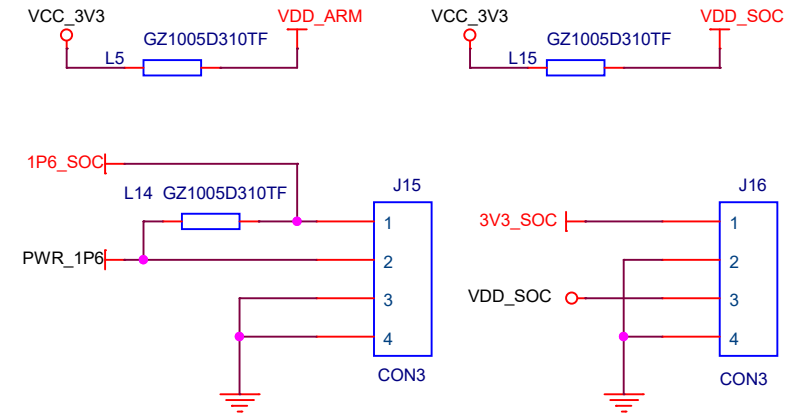
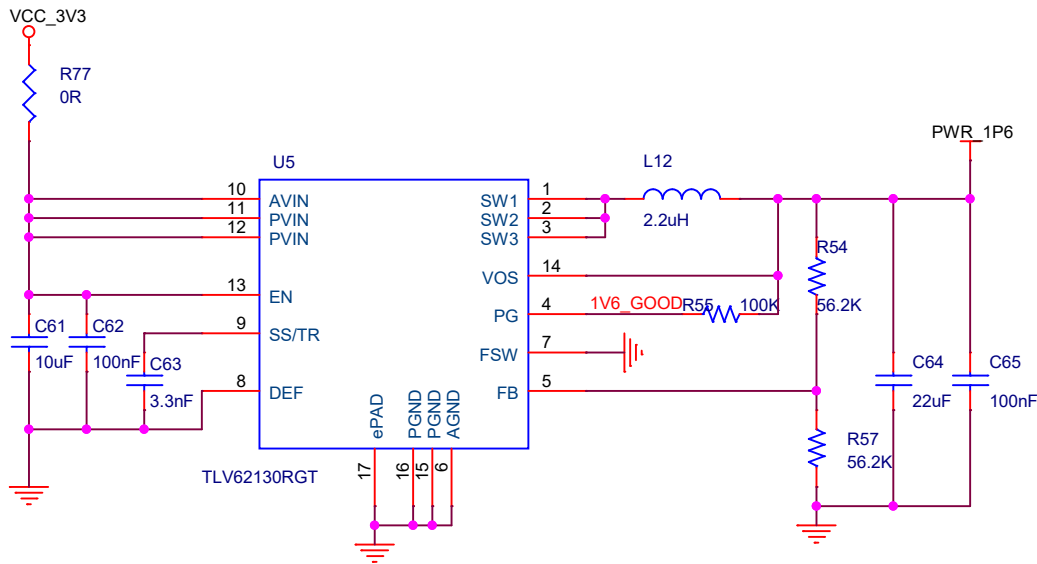
3.3V DCDC POWER @ Max 3A



Type-C接口-16Pin

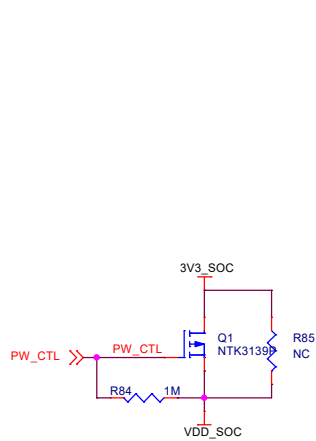


1.6V DCDC POWER @ Max 3A

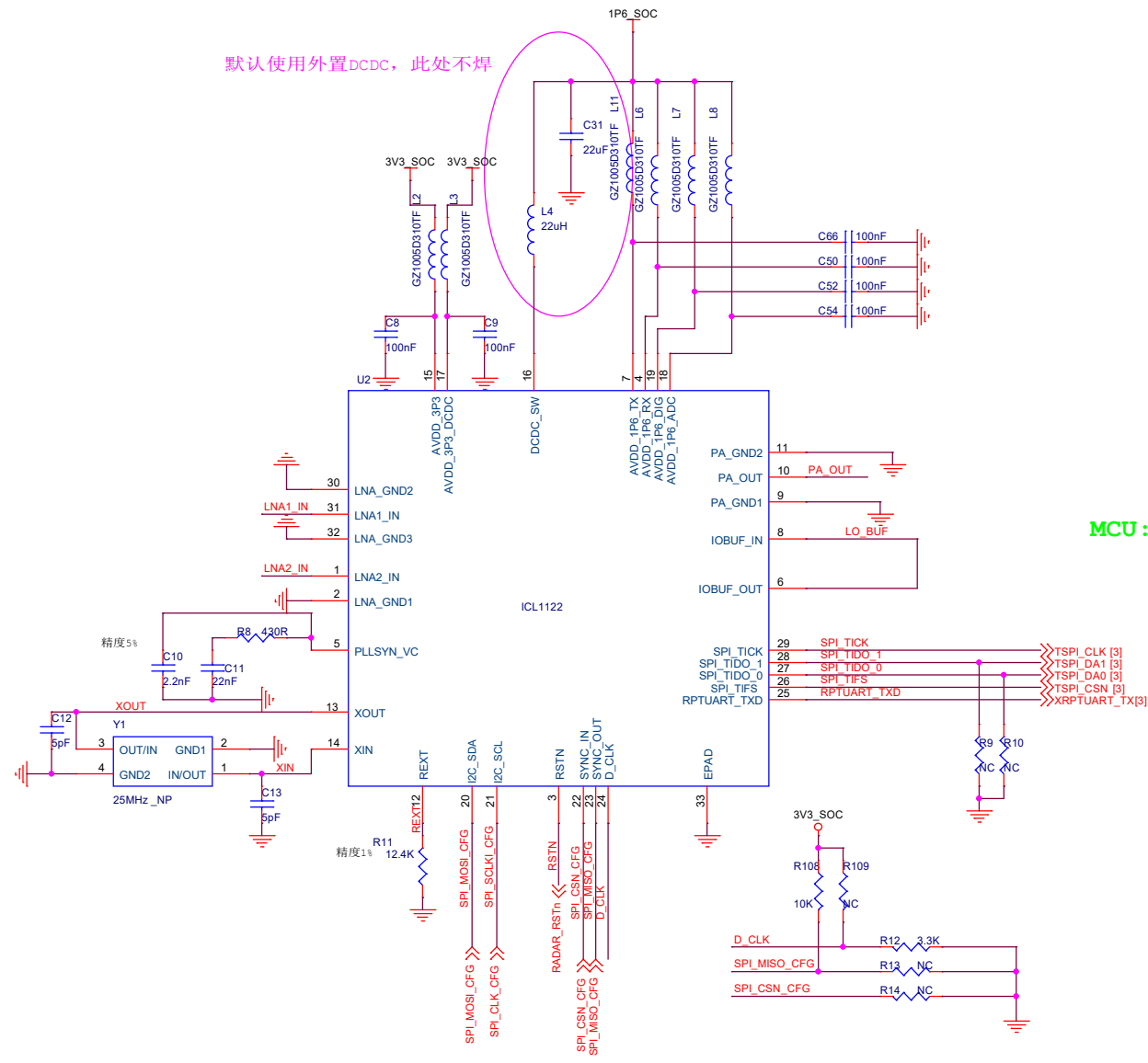


ICLegend

Title			POWER
Size	A4	Document Number	<Doc>
Date:	Friday, August 25, 2023	Sheet	1 of 3
		Rev	V1.0



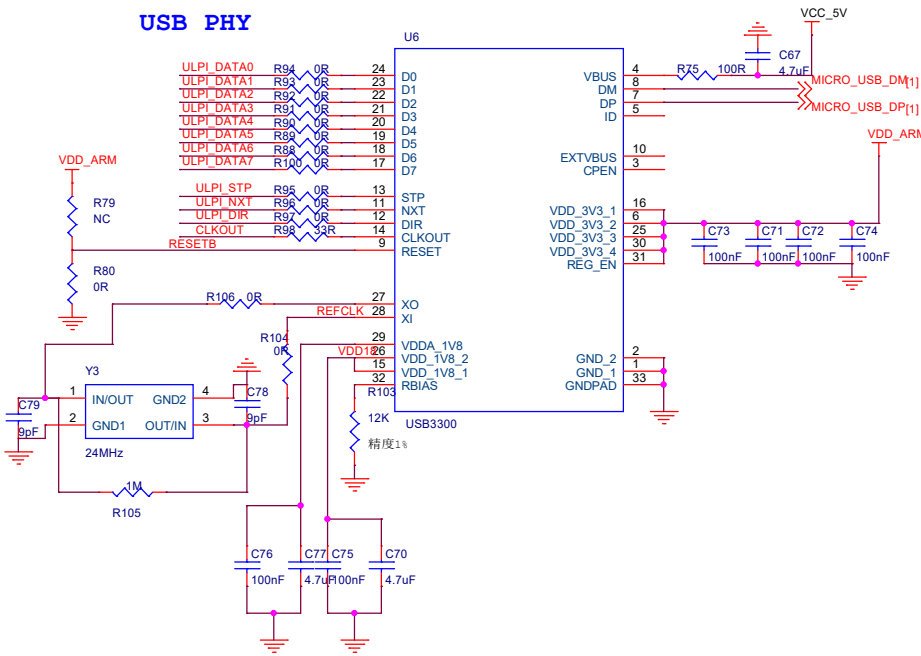
默认使用外置DCDC，此处不焊



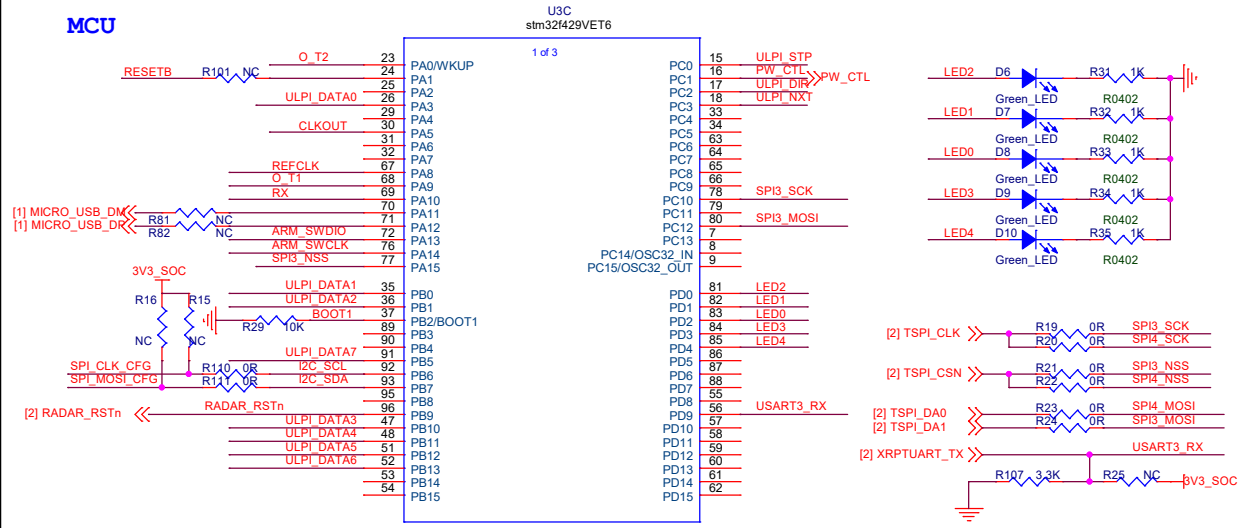
MCU: SPI_Config

Title			SOC
Size	Document Number	Rev	
A3	<Doc>	V1.0	
Date:	Friday, August 25, 2023	Sheet	2 of 3

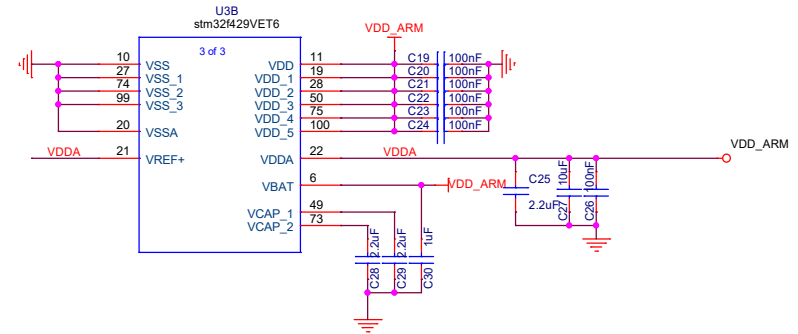
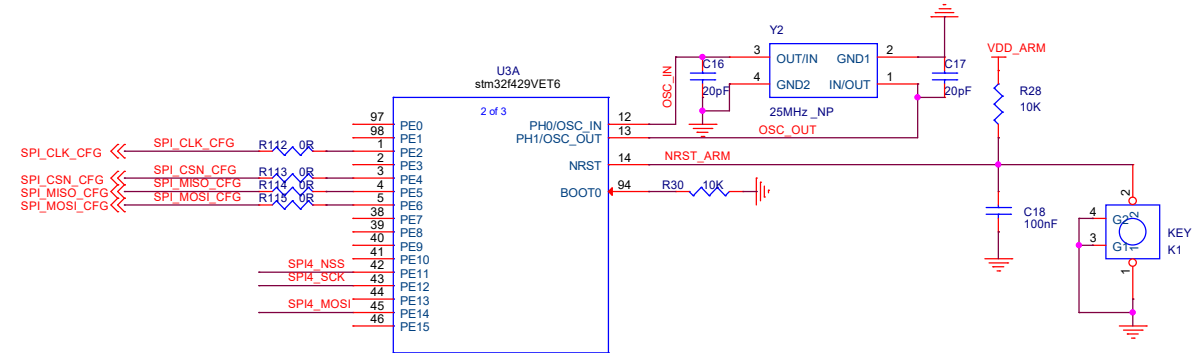
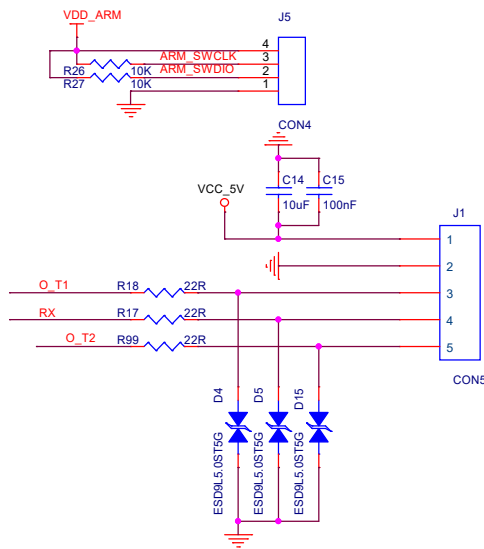
USB PHY



MCU



SWD接口/ UART接口



Title	MCU	
Size	Document Number	Rev
A3	<Doc>	1.0
Date:	Thursday, August 24, 2023	Sheet 3 of 3