

D

C

UT  
CH34F

B

A

D

C

B

A

6

5

4

3

2

1

D

D

C

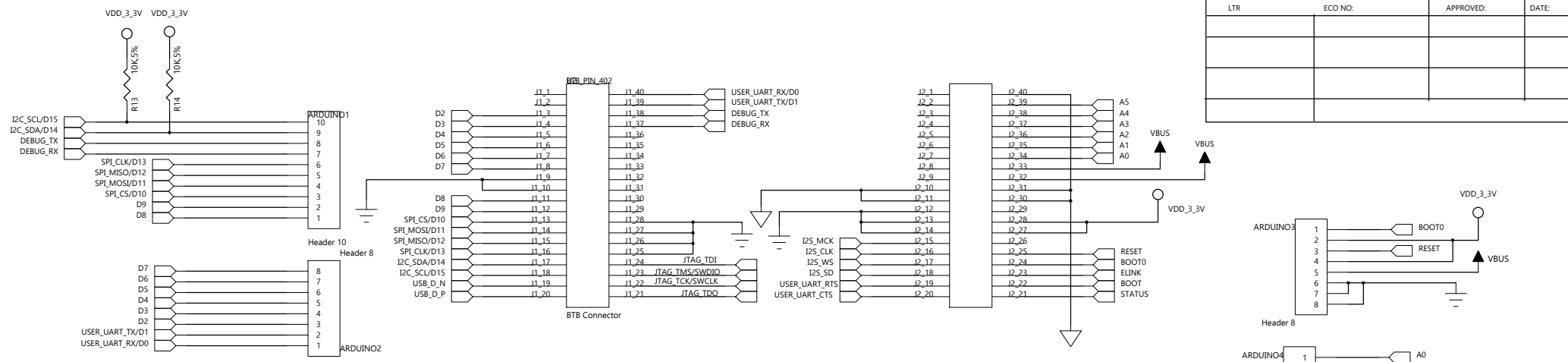
C

B

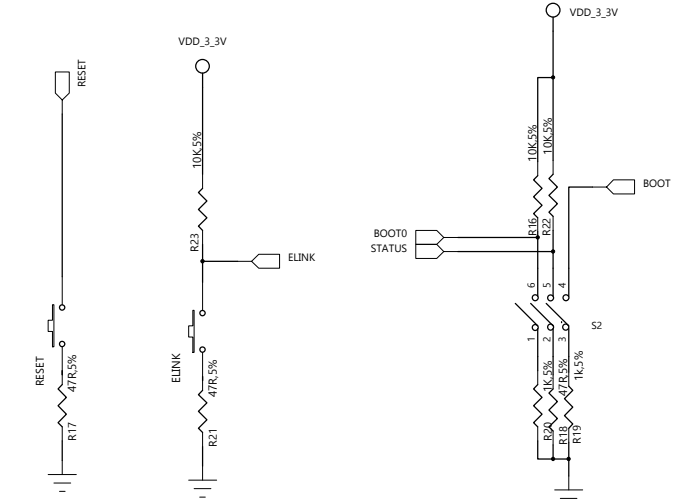
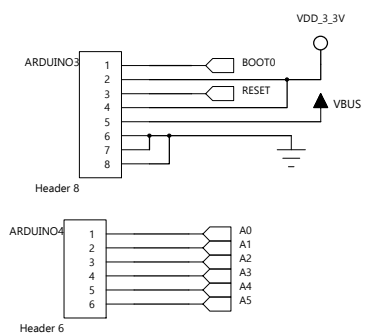
B

A

A



REVISION RECORD			
LTR	ECO NO:	APPROVED:	DATE:



COMPANY:			
TITLE:			
CODE:	SIZE:	DRAWING NO:	REV:
	<b>B</b>		
SCALE:			SHEET: of 2 2

DRAWN:	DATED:
CHECKED:	DATED:
QUALITY CONTROL:	DATED:
RELEASED:	DATED: