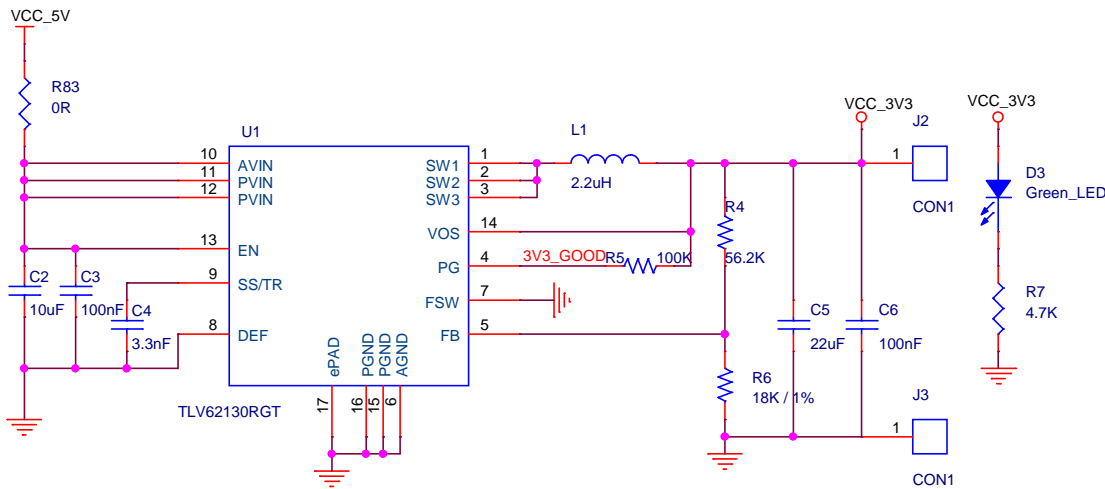
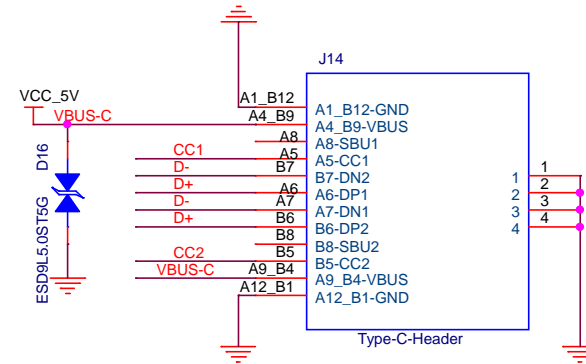


3.3V DCDC POWER @ Max 3A

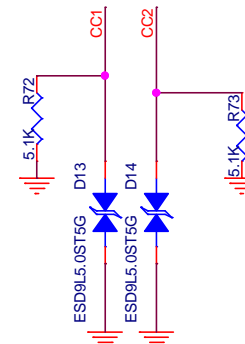
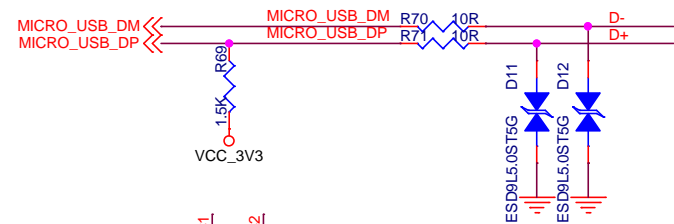
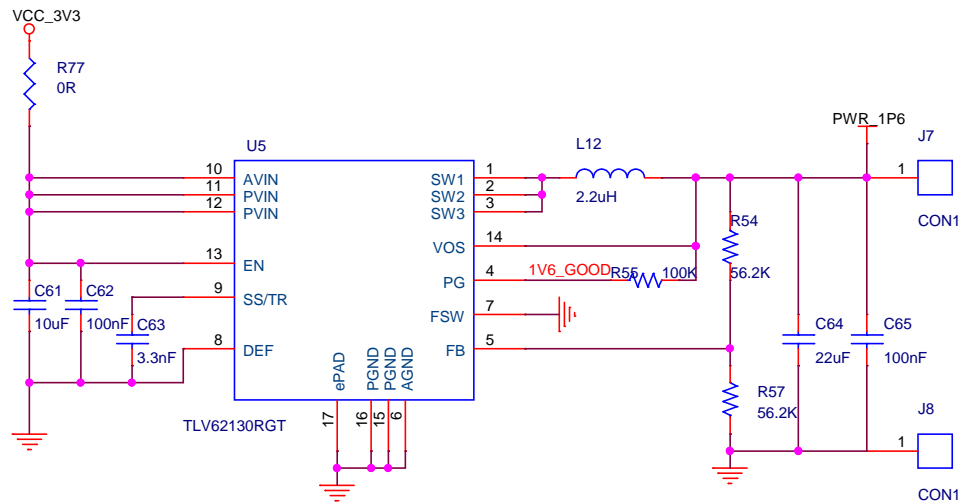


Type-C接口-16Pin

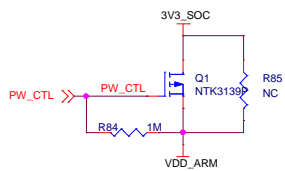
- 1. TypeC替换Mirco_USB电路
- 2. 兼容1.6v供电方式;



1.6V DCDC POWER @ Max 3A



ICLEGEND MICRO		
Design	EVBKS5	Page name POWER
Size	A4	Document Number <Doc>
Date:	Wednesday, March 09, 2022	Rev V1.0
Sheet 1 of 3		

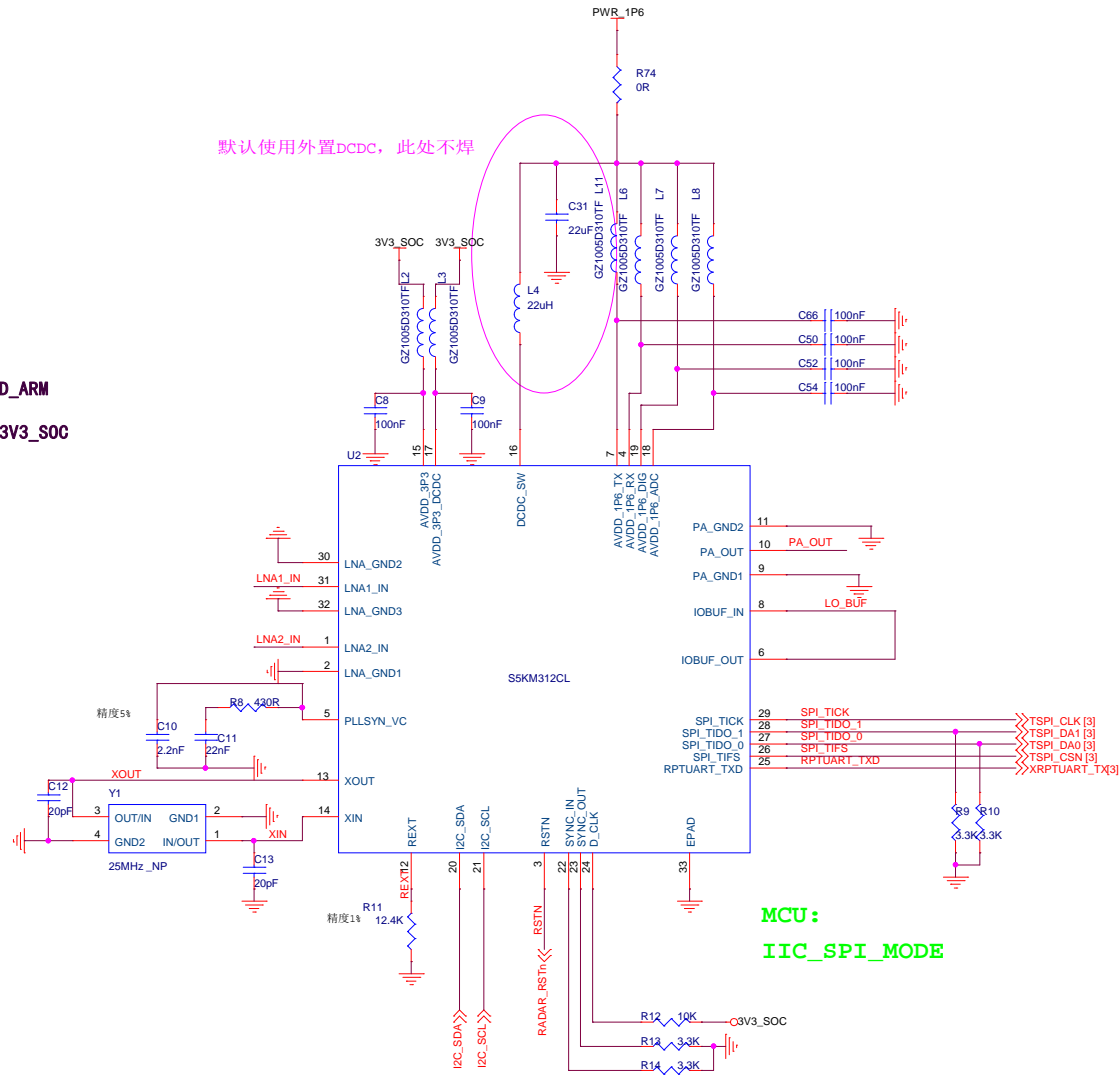


MOS开关

输入电压: VDD_ARM

RF芯片供电: 3V3_SOC

默认使用外置DCDC, 此处不焊

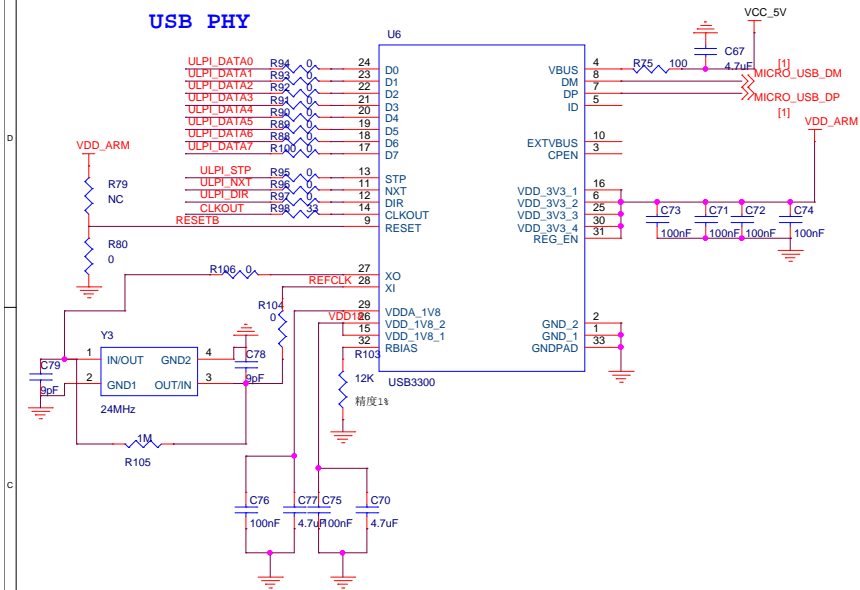


MCU:
IIC_SPI_MODE

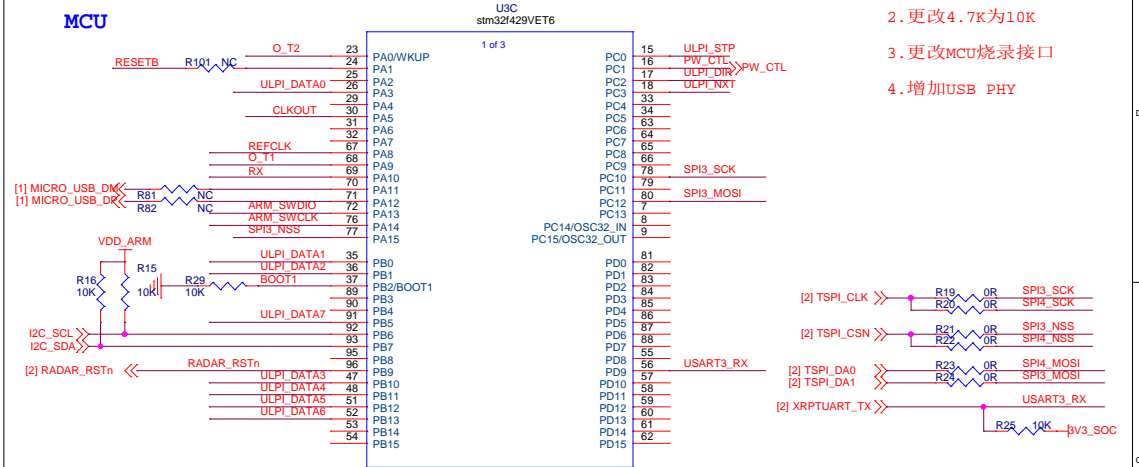
1. 精简S5KM312CL外围电路;
2. ADD MOS开关

ICLEGEND MICRO			
Design	EVBKS5	Page name	SOC
Size	A3	Document Number	<Doc>
Date:	Wednesday, March 09, 2022	Sheet	2 of 3
		Rev	V1.0

USB PHY



MCU



1. Delete UART4
2. 更改4.7K为10K
3. 更改MCU烧录接口
4. 增加USB PHY

SWD接口 / UART接口

