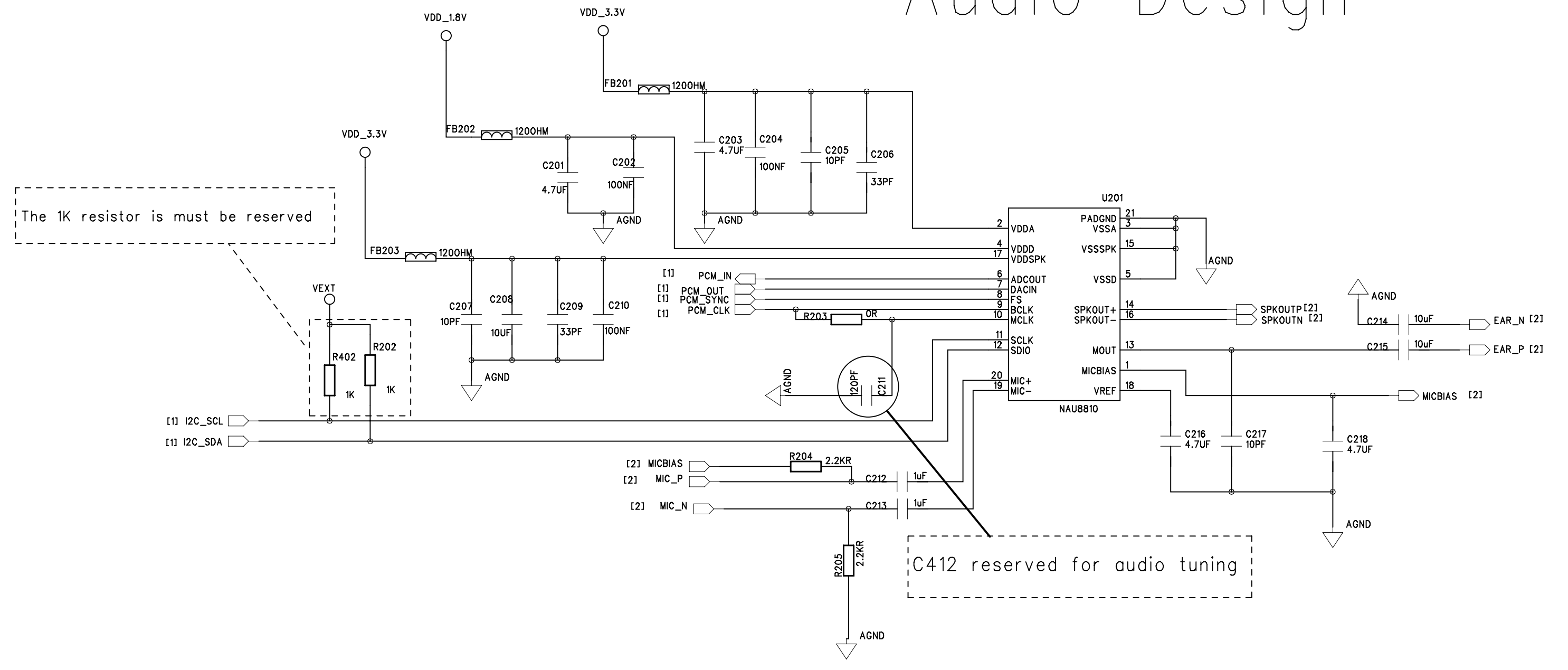
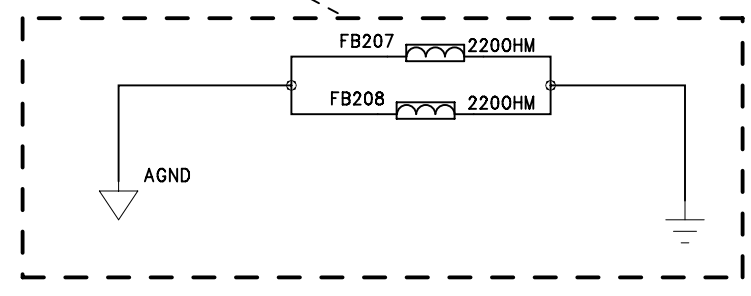


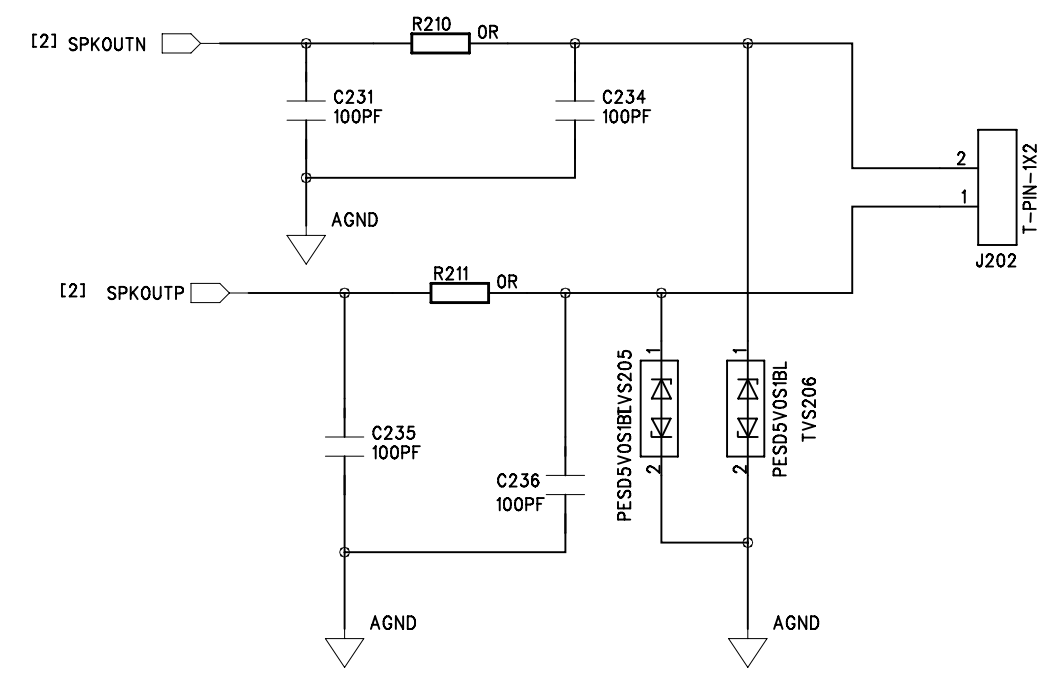
Audio Design



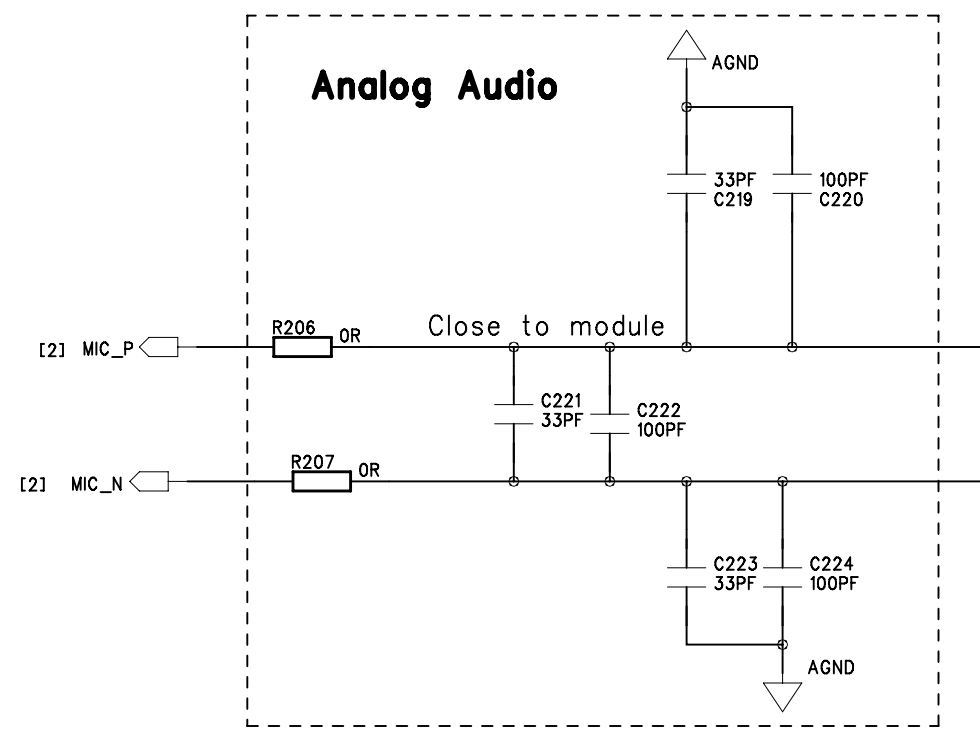
Analog ground and Digital ground



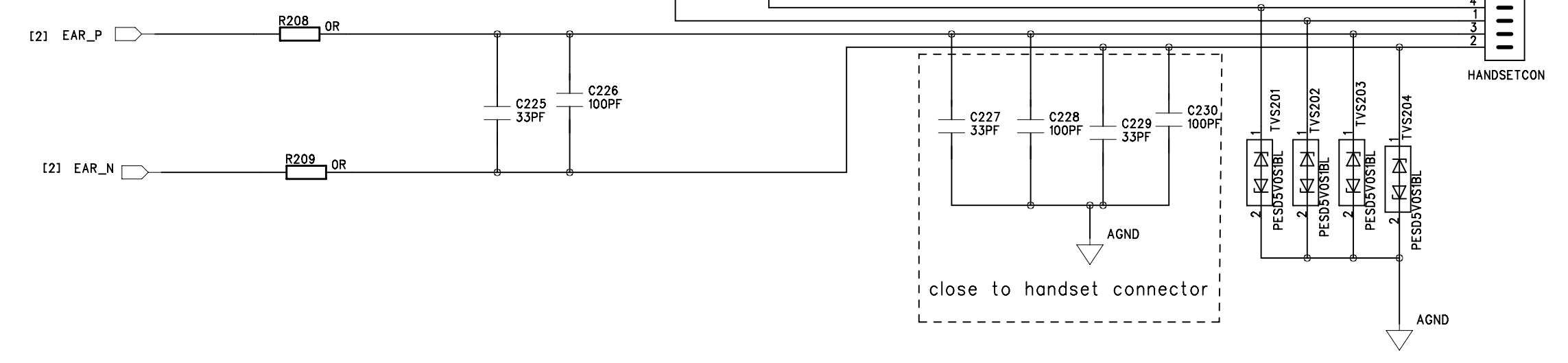
Speaker



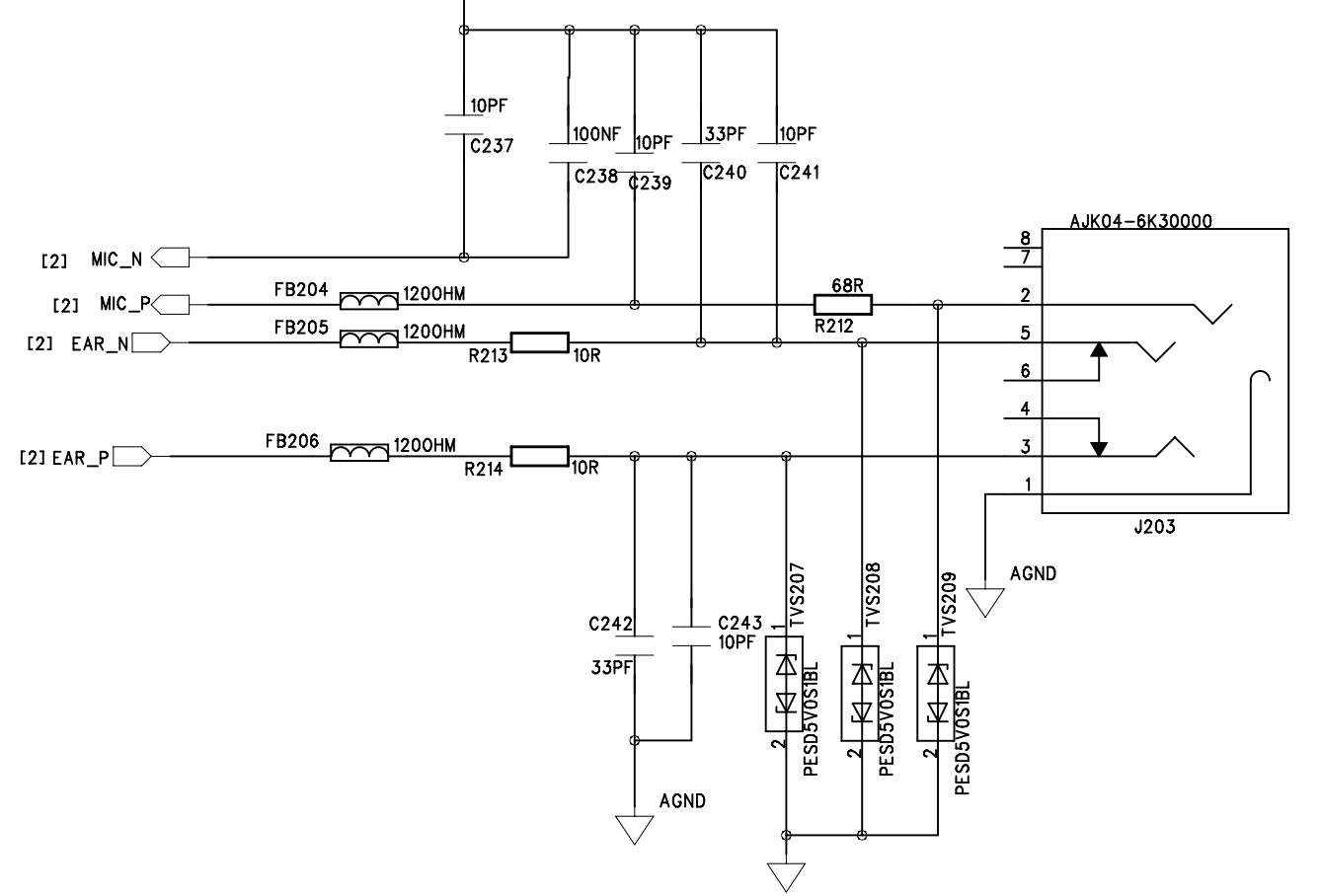
Analog Audio



Handset



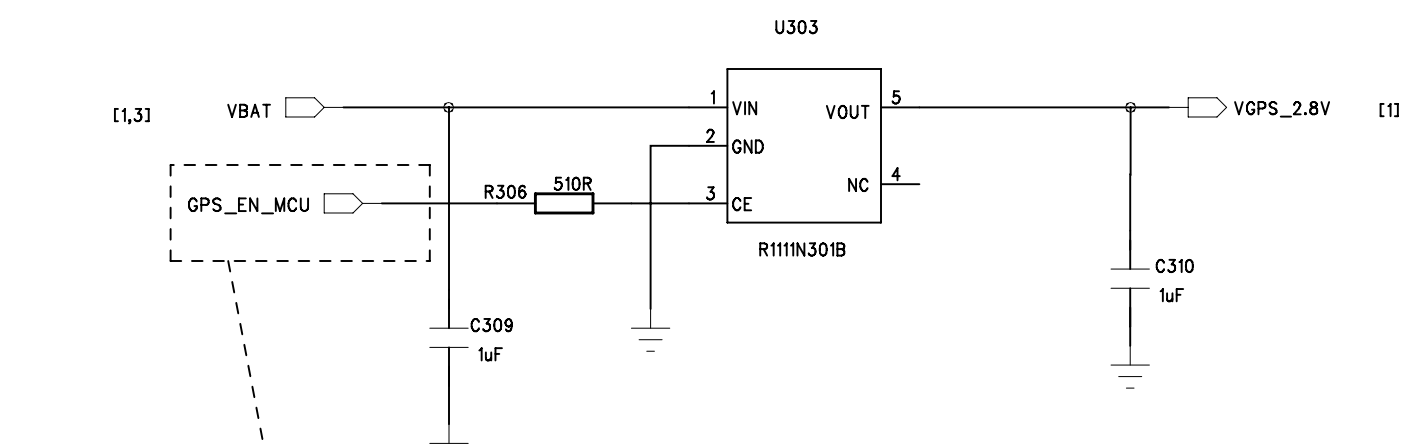
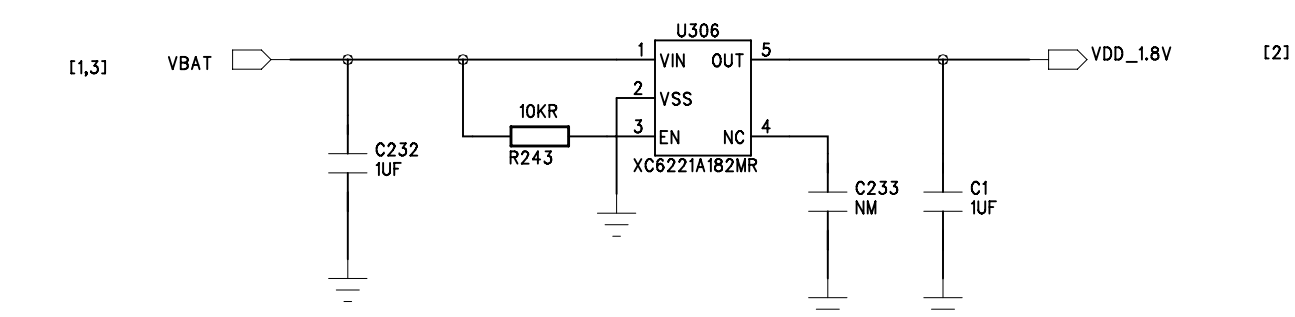
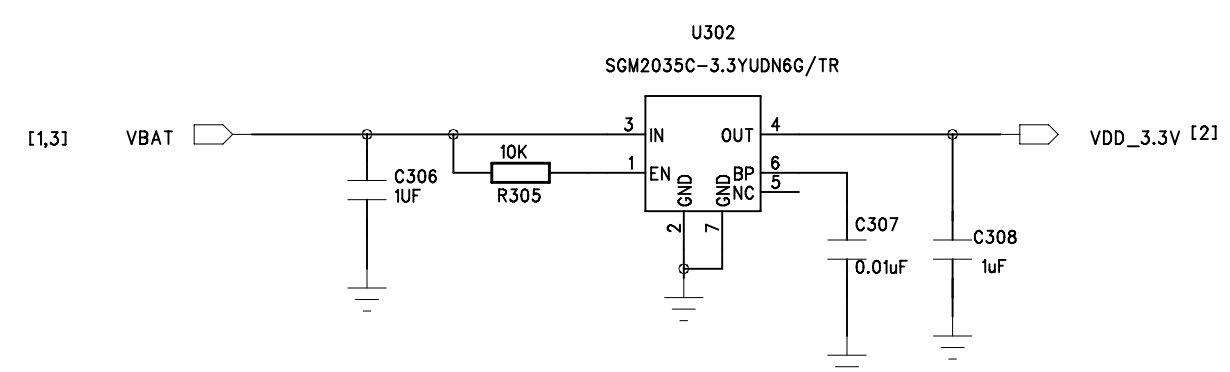
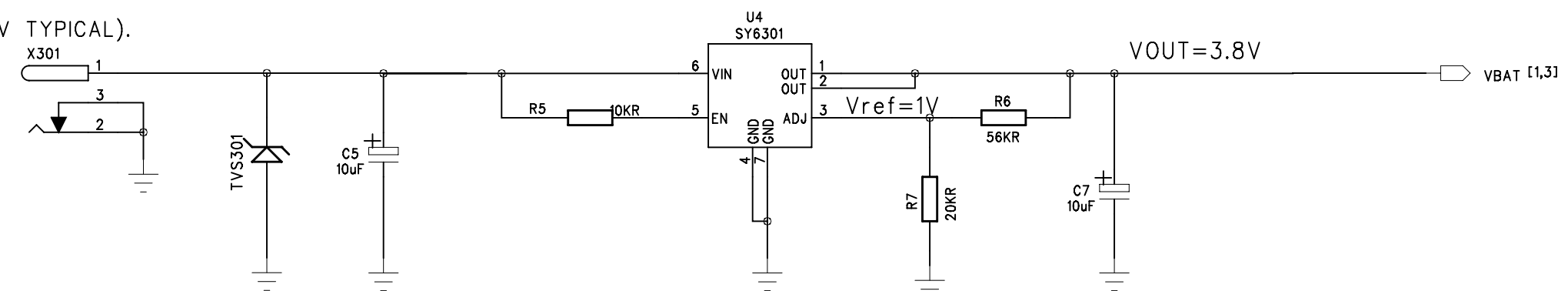
EARPHONE



NOT TO BE USED, COPIED, REPRODUCED IN WHOLE OR IN PART, NOR ITS CONTENTS REVEALED IN ANY MANNER TO OTHERS WITHOUT THE EXPRESS WRITTEN PERMISSION OF QUALCOMM.
 THIS TECHNICAL DATA MAY BE SUBJECT TO U.S. AND INTERNATIONAL EXPORT, RE-EXPORT OR TRANSFER ("EXPORT") LAWS. DIVERSION CONTRARY TO U.S. AND INTERNATIONAL LAW IS STRICTLY PROHIBITED.
 Copyright (c) 2015 QUALCOMM Technologies, Inc
 All rights reserved

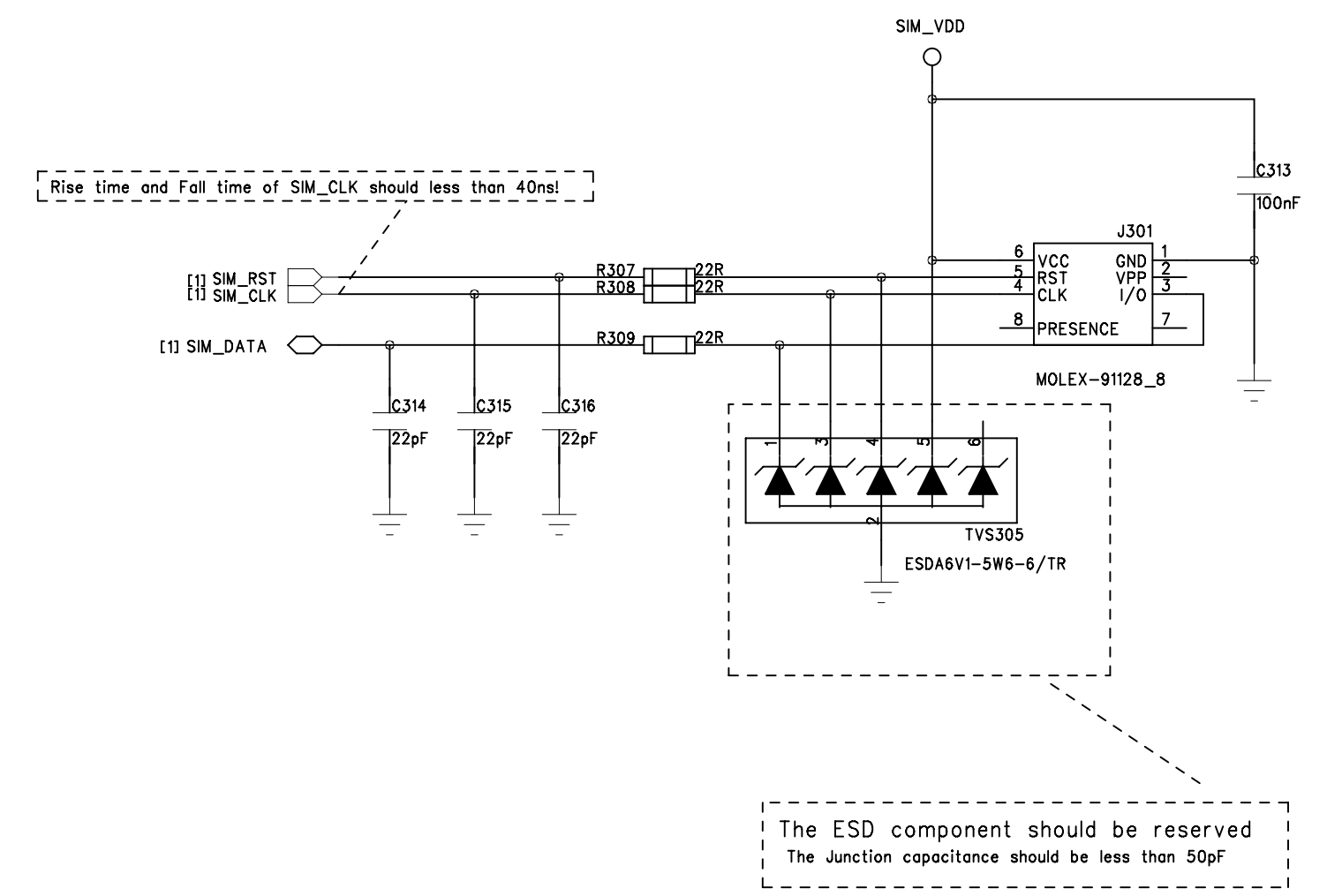
POWER

DC INPUT(5V TYPICAL).

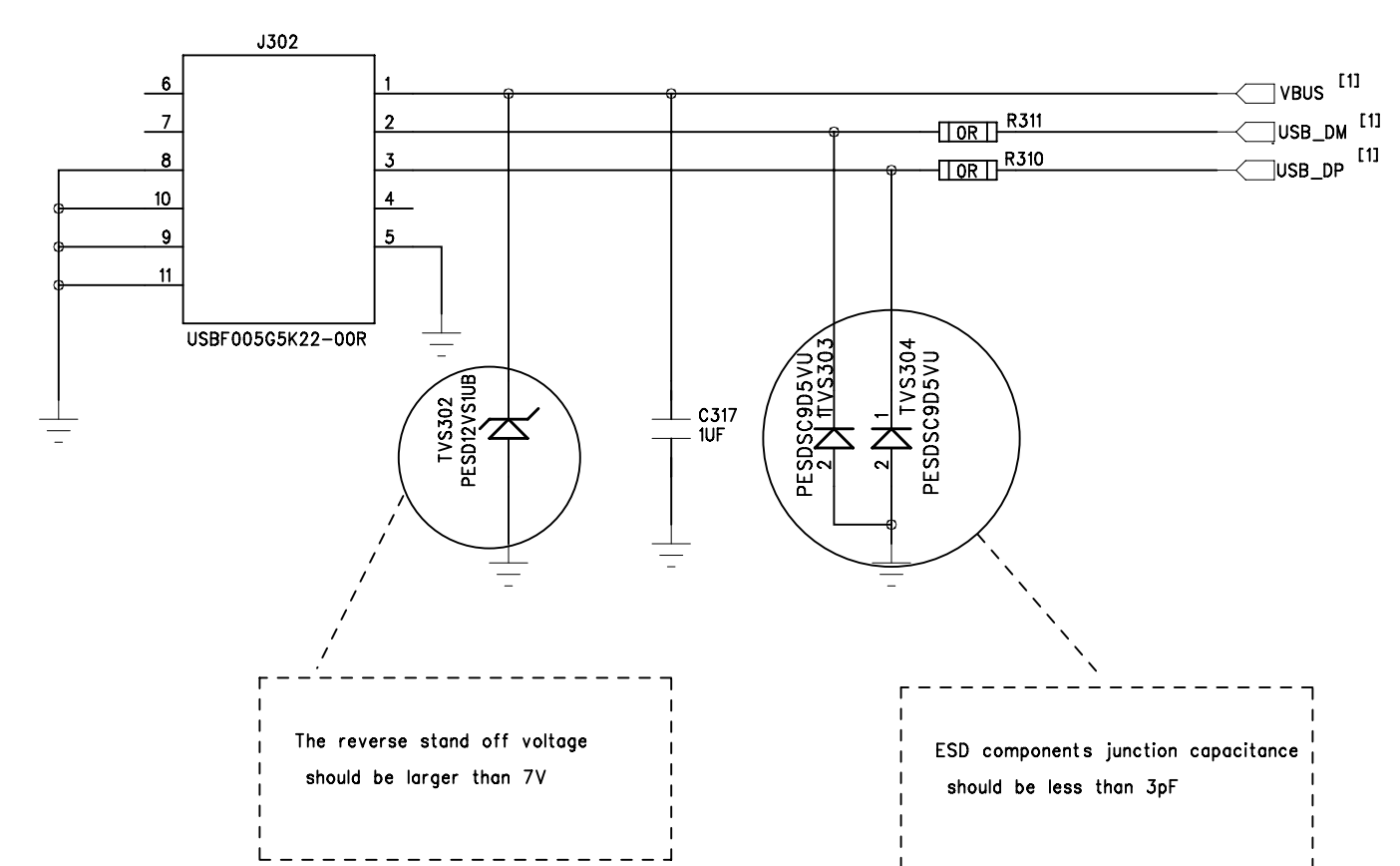
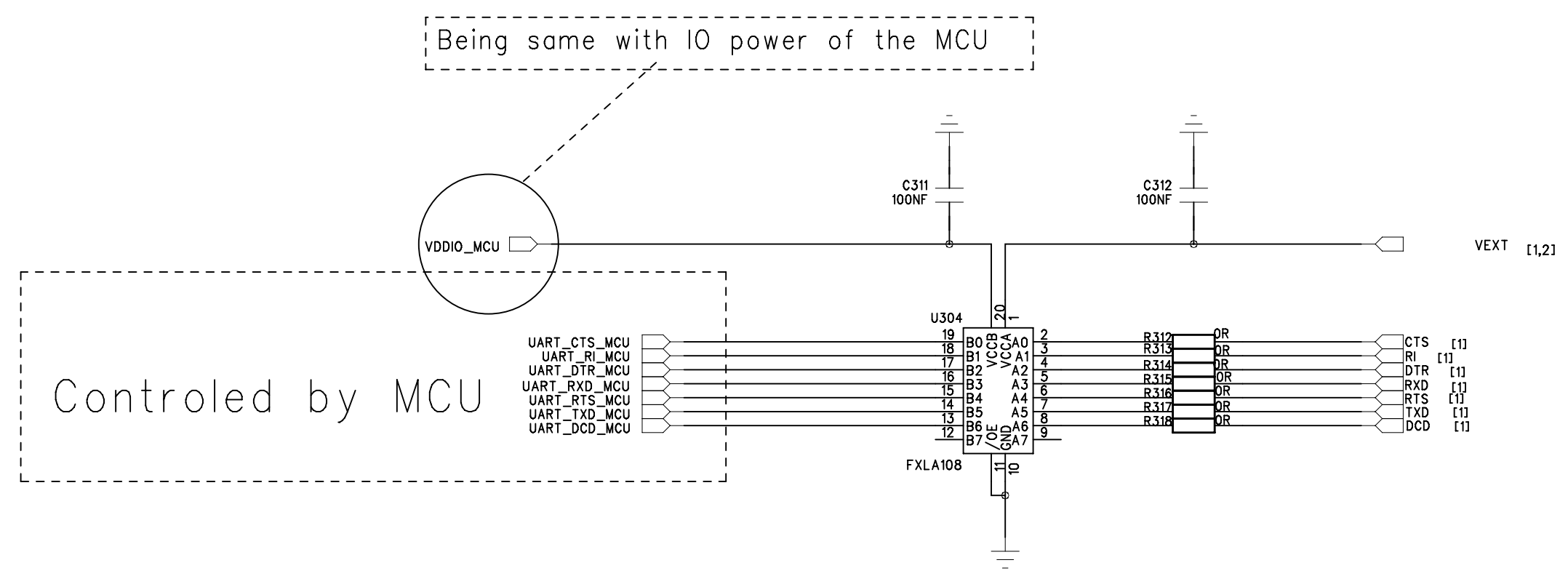


Controlled by MCU
when GPS is not work, it should be output low
to shut down the power VGPS_2.8V

SIM CARD



USB



Controlled by MCU

Being same with IO power of the MCU

NOT TO BE USED, COPIED, REPRODUCED IN WHOLE OR IN PART, NOR ITS CONTENTS REVEALED IN ANY MANNER TO OTHERS WITHOUT THE EXPRESS WRITTEN PERMISSION OF QUALCOMM.
THIS TECHNICAL DATA MAY BE SUBJECT TO U.S. AND INTERNATIONAL EXPORT, RE-EXPORT OR TRANSFER ("EXPORT") LAWS. DIVERSION CONTRARY TO U.S. AND INTERNATIONAL LAW IS STRICTLY PROHIBITED.
Copyright (C) 2015 QUALCOMM Technologies, Inc
All rights reserved

SIMCom
SIMCom Confidential and Proprietary
Title
<SCH>
Size Sheet
Date: Sheet 3 of 3