

TVS101 TVS102 is a bidirectional TVS component,
ESD components junction capacitance
should be less than 0.05pF

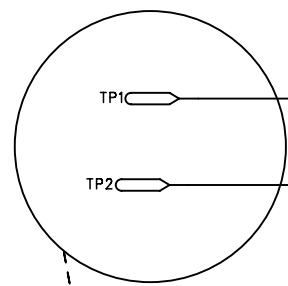
GNSS_ANT

GSM_ANT

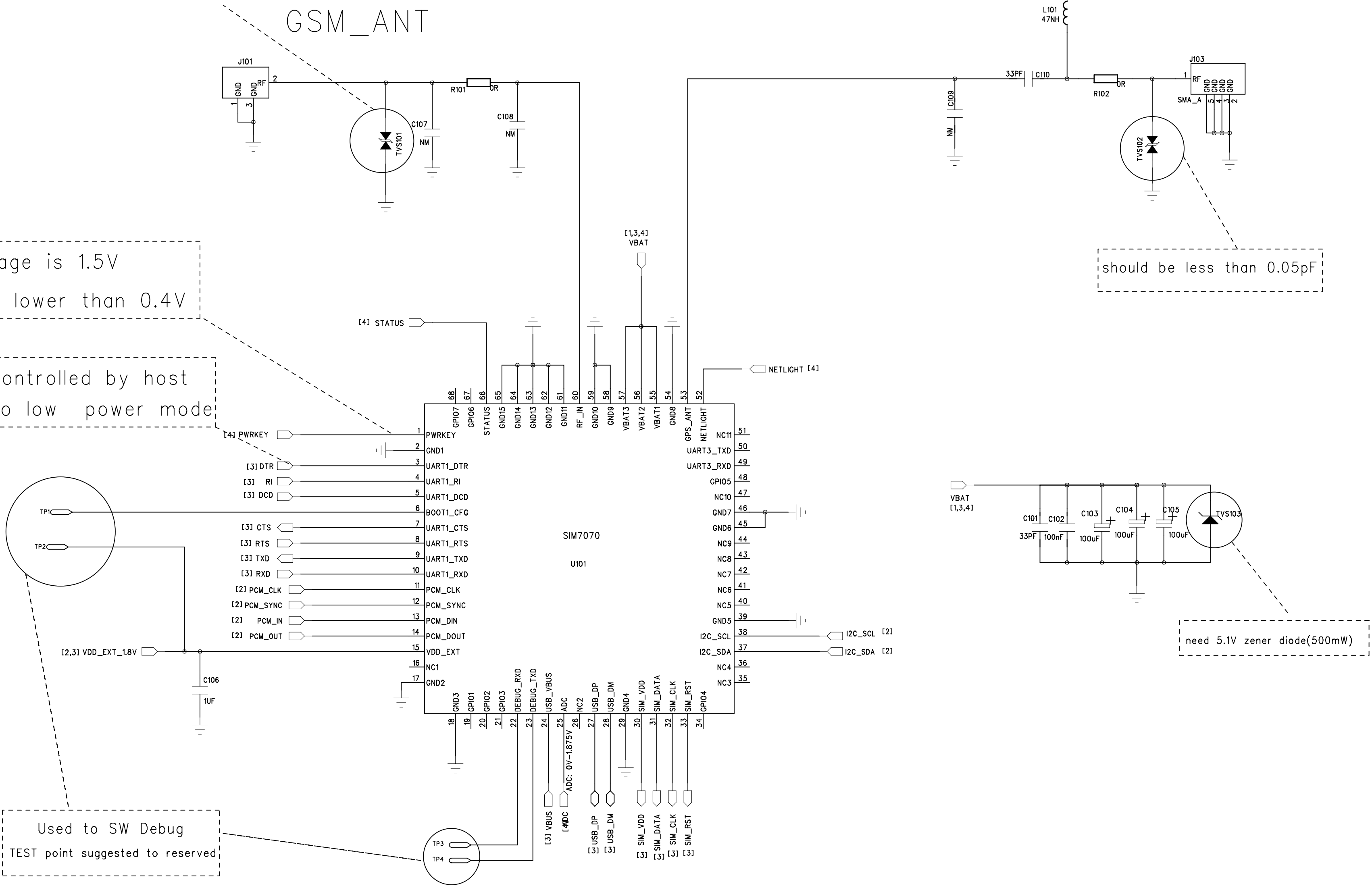
Normal voltage is 1.5V
VIL should be lower than 0.4V

DTR should be Controlled by host
to be setting into low power mode

should be less than 0.05pF



Used to SW Debug
TEST point suggested to reserved

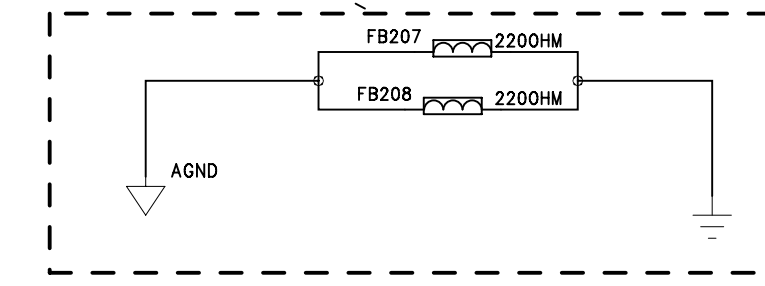
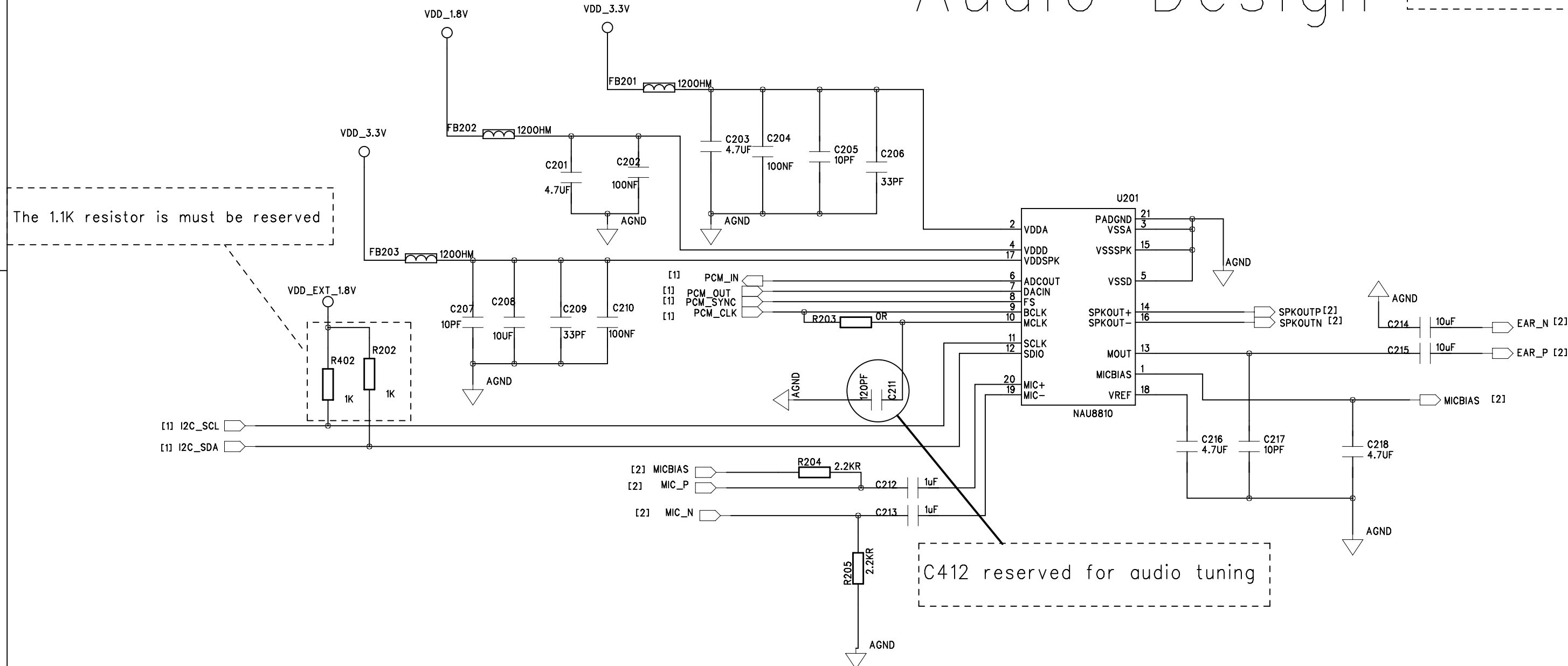


need 5.1V zener diode(500mW)

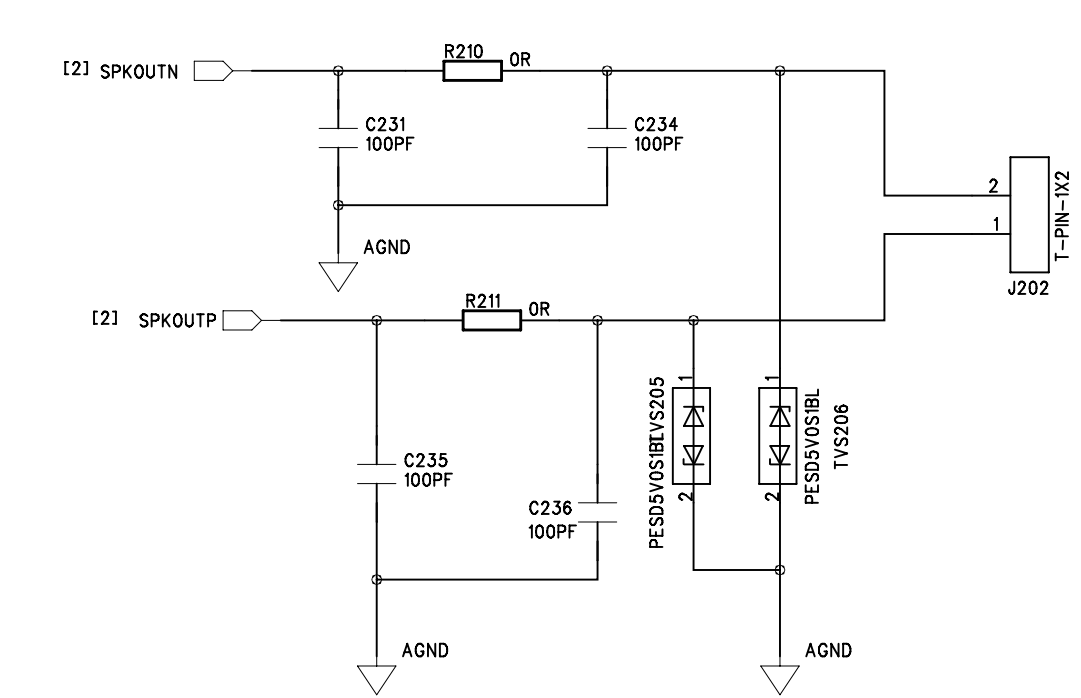
DRAWN BY	PROJECT	TITLE INTERFACE
CHECKED BY	SIZE A2	VER
SHEET 2 of 2		

Audio Design

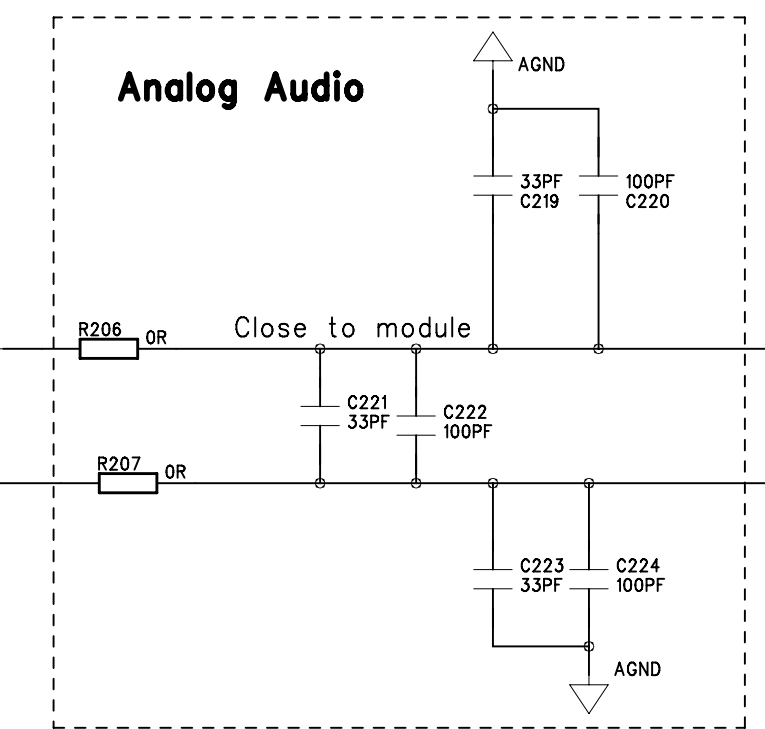
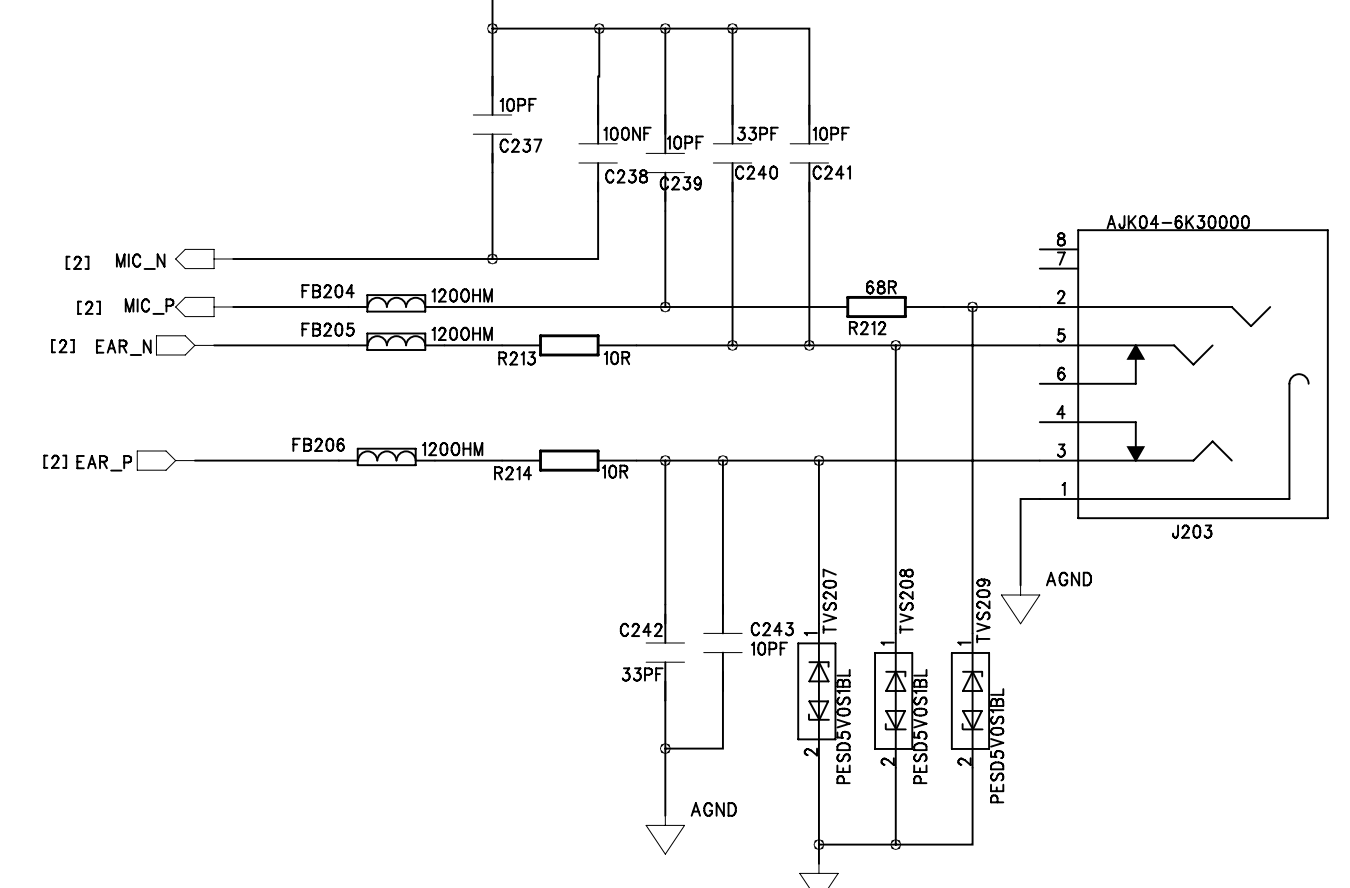
Analog ground and Digital ground



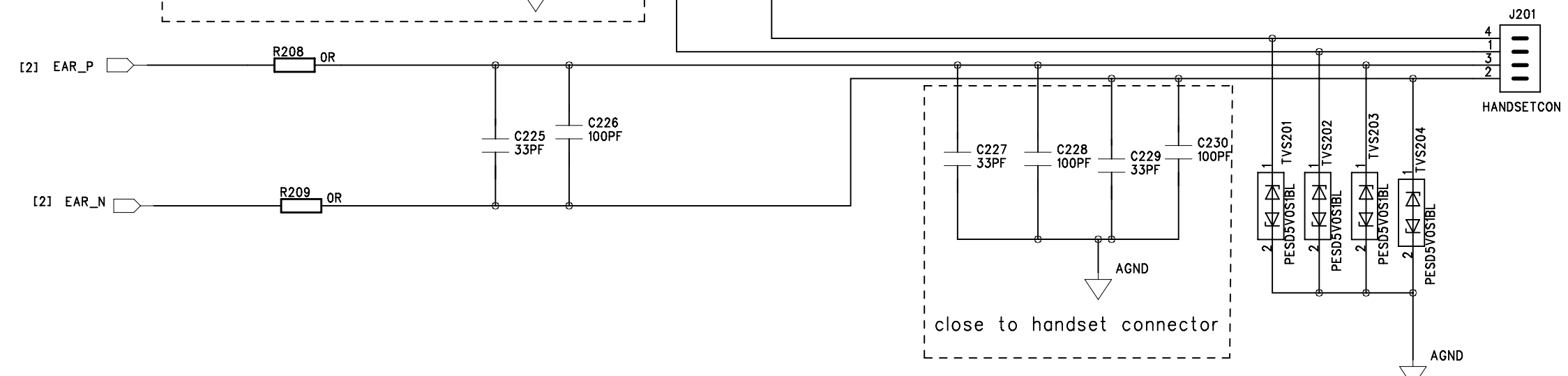
Speaker



EARPHONE



Handset

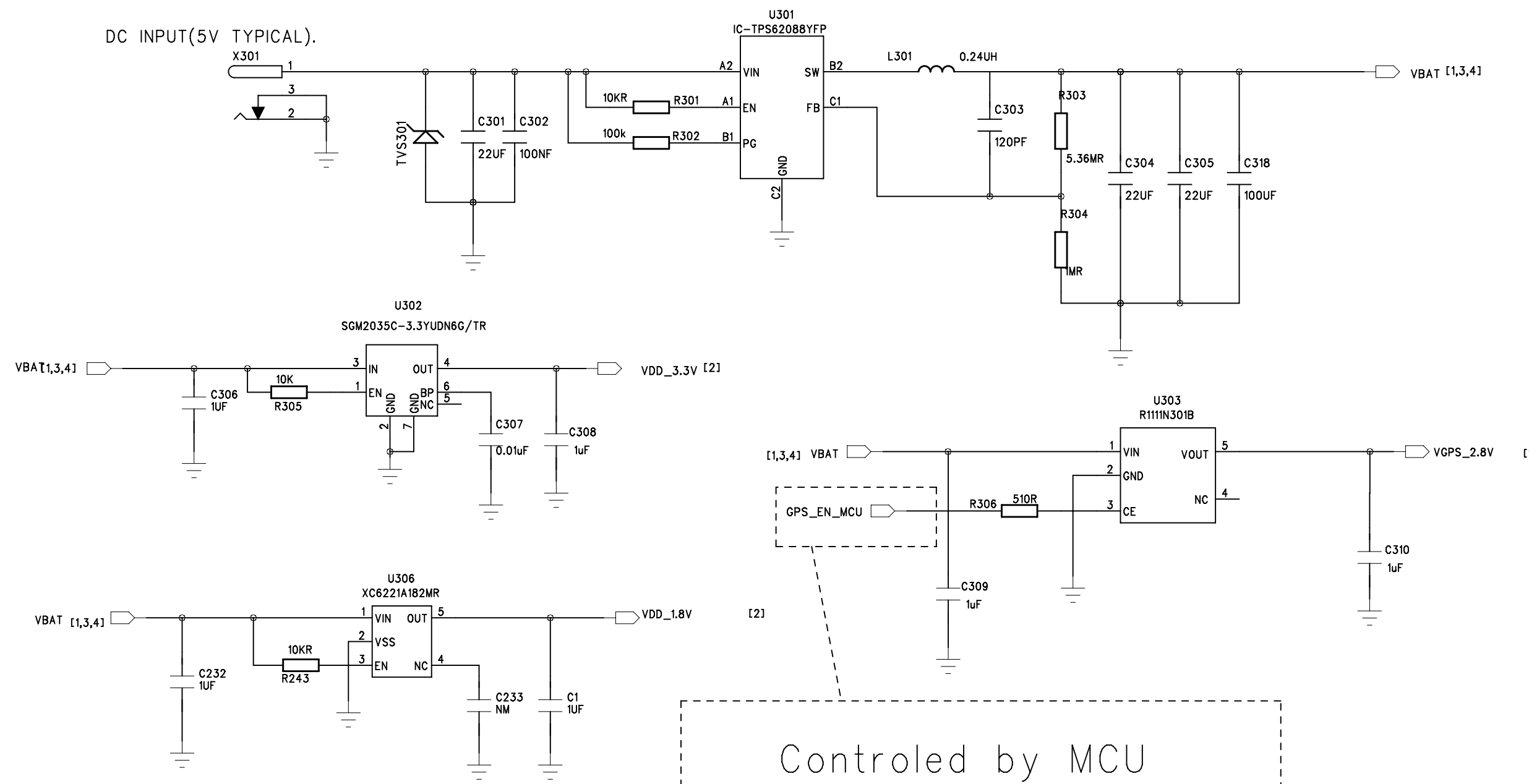


The 1.1K resistor is must be reserved

C412 reserved for audio tuning

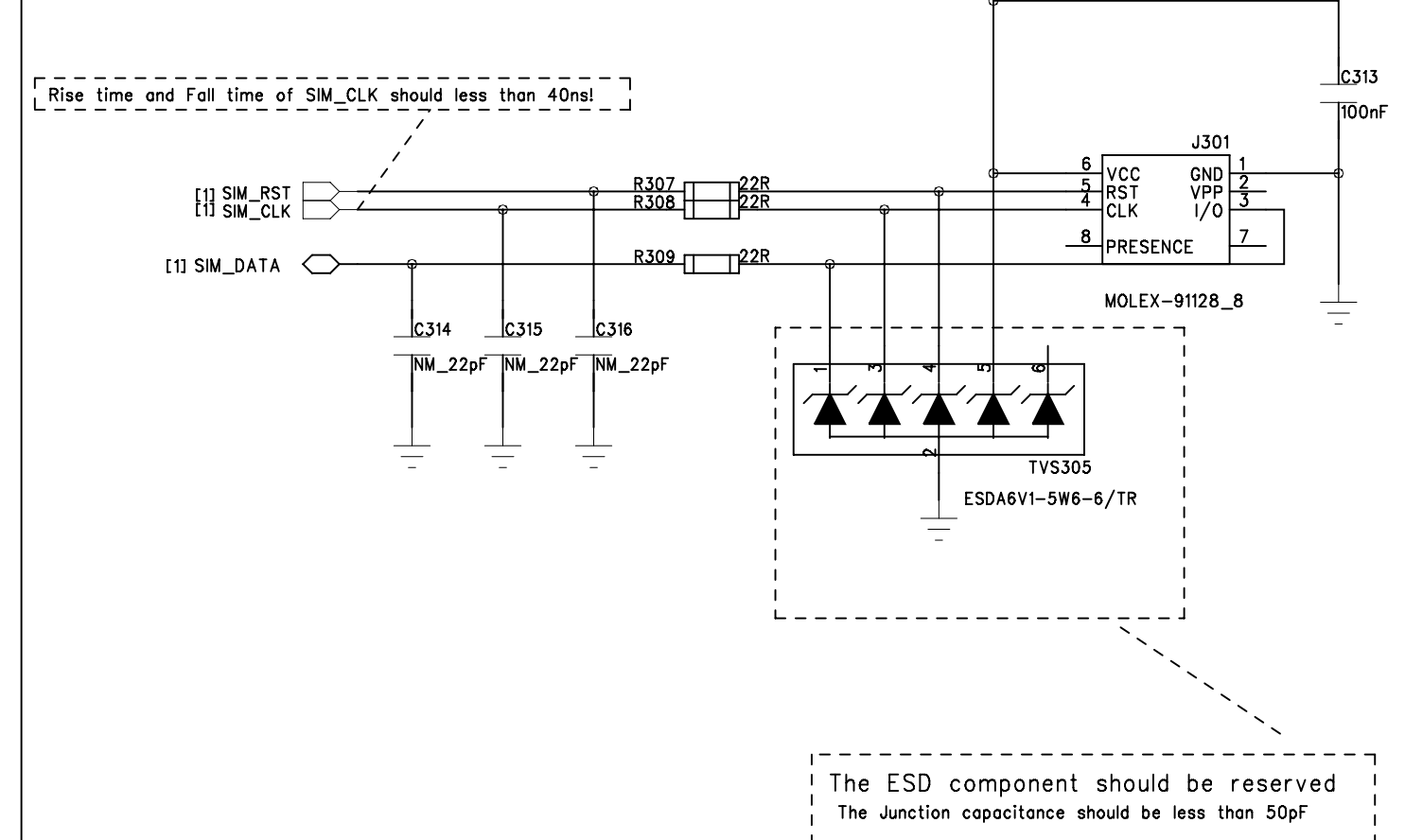
DRAWN BY	PROJECT	TITLE
CHECKED BY	SIZE	VER
SHEET 2 of 2		

POWER

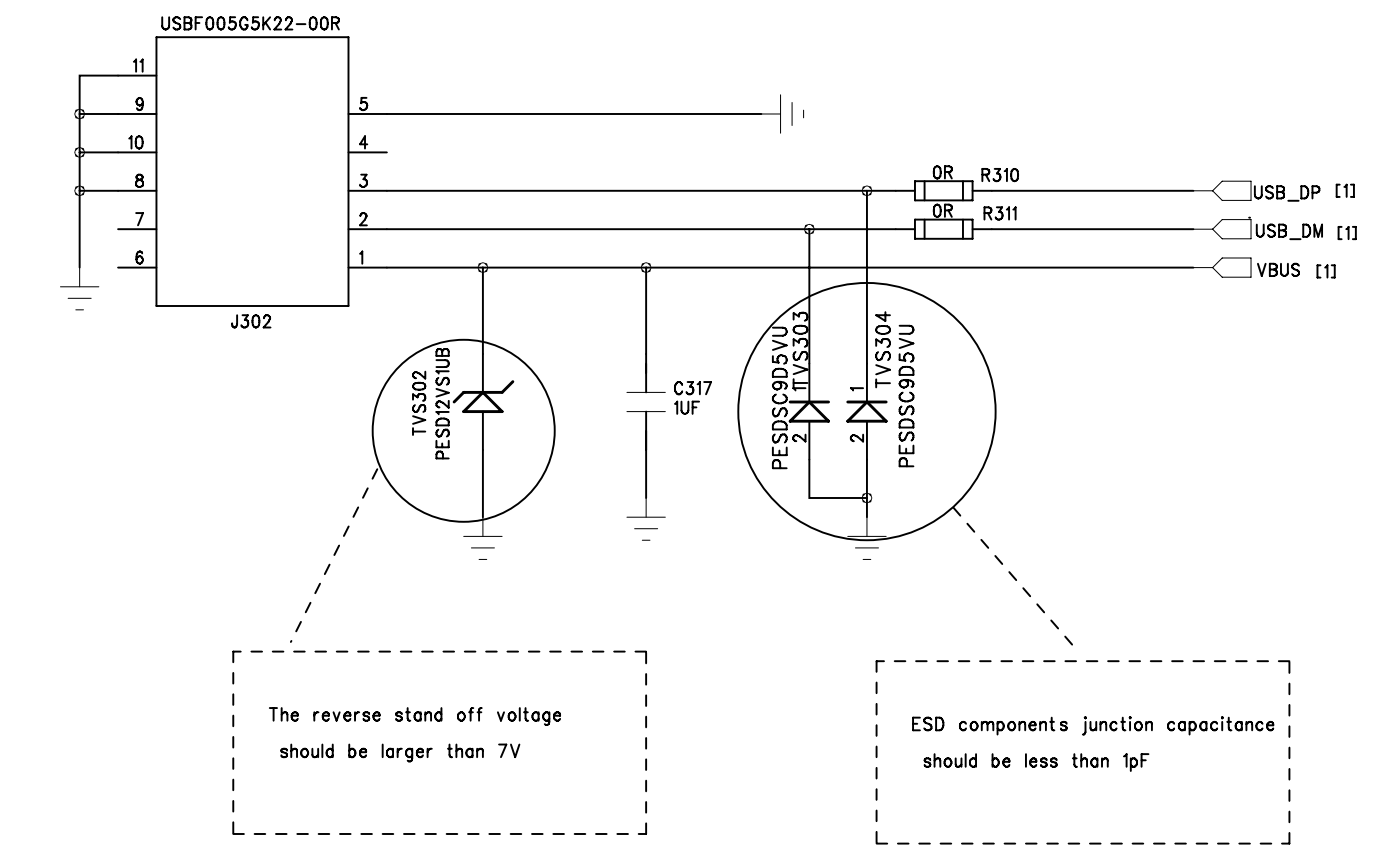


Controlled by MCU
when GPS is not work, it should be output low
to shut down the power VGPS_2.8V

SIM CARD

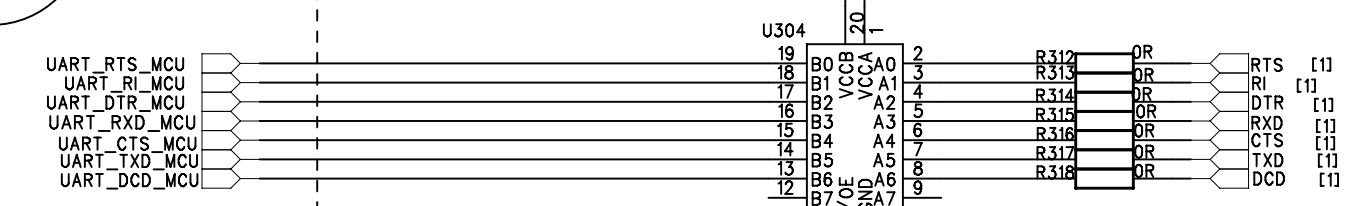


USB



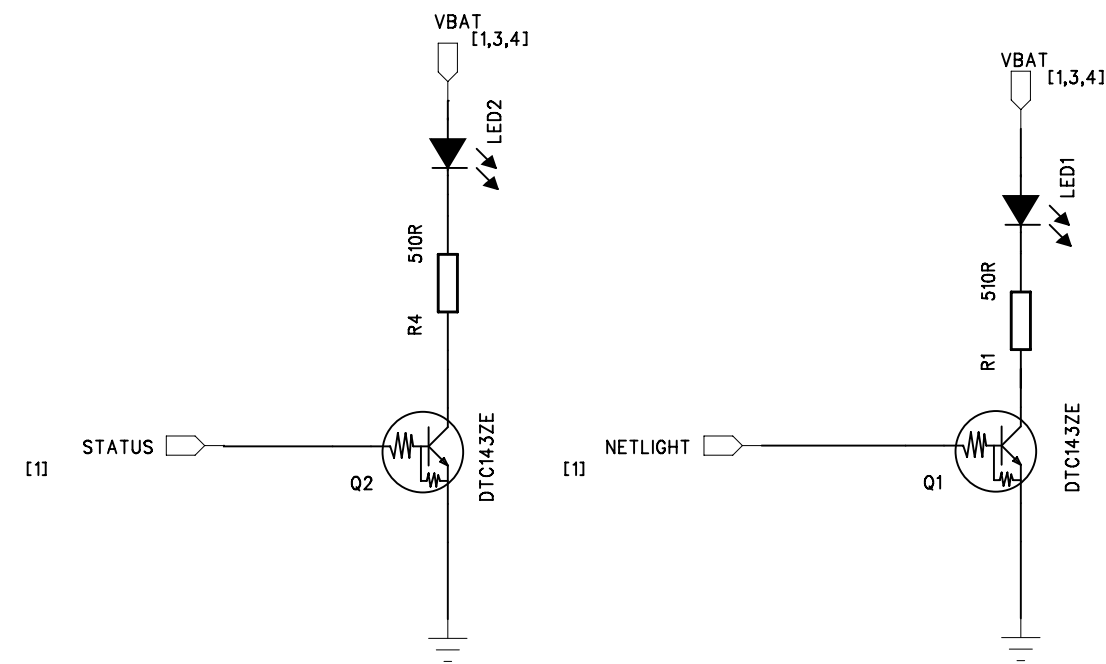
Controlled by MCU

Being same with IO power of the MCU

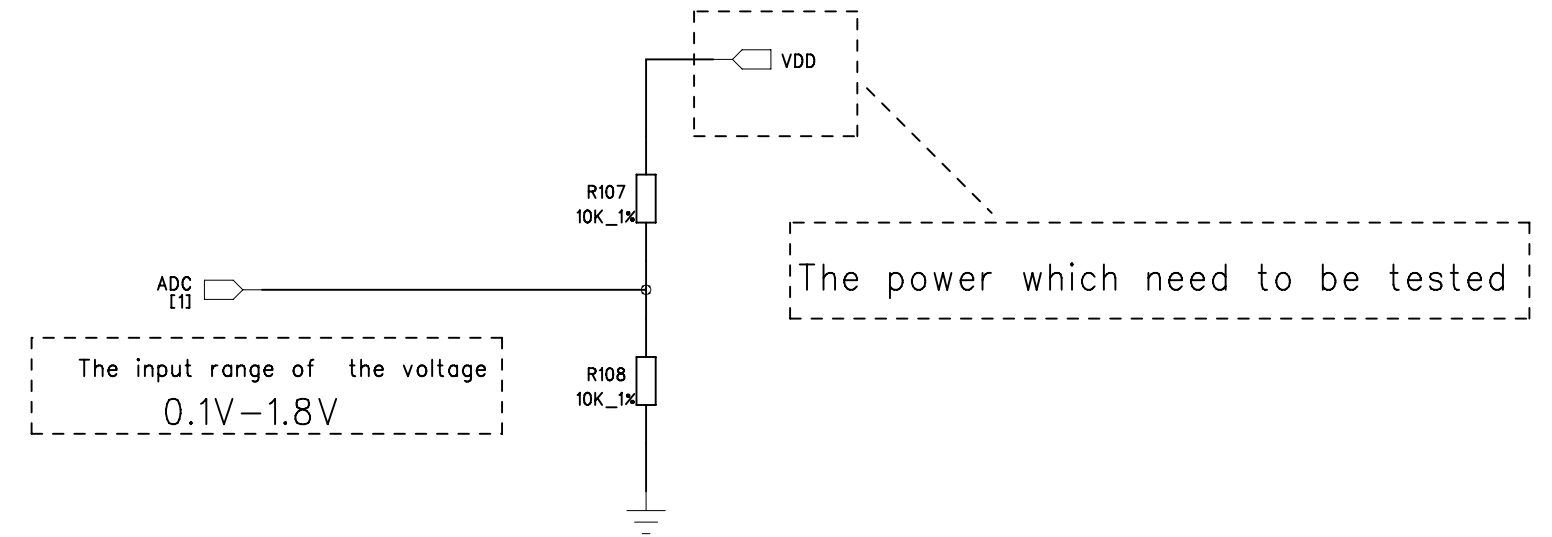


DRAWN BY	PROJECT	TITLE
CHECKED BY	SIZE A2	VER 1.01
SHEET 1 of 2		

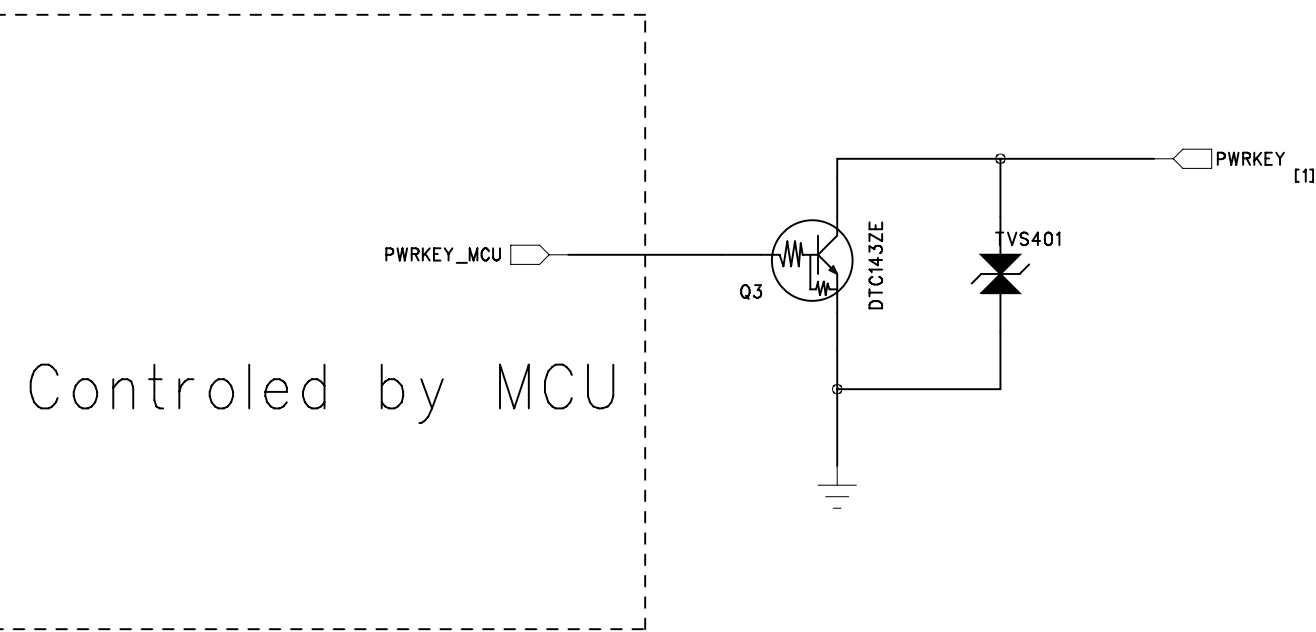
Status & Netlight



ADC



Pwrkey



DRAWN BY			PORJECT			TITLE INTERFACE		
CHECKED BY			SIZE A2			VER		
SHEET 2 of 2								